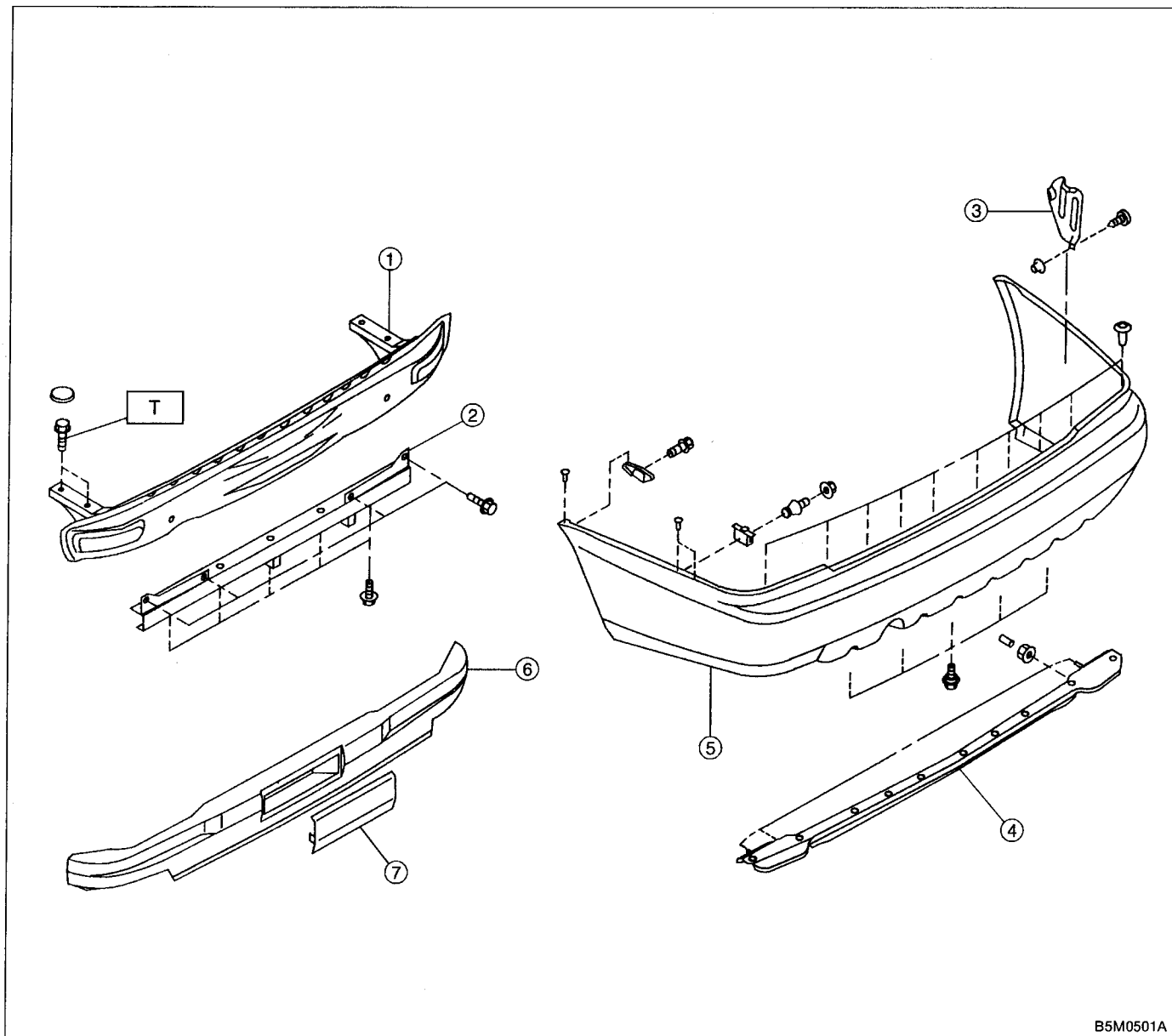


11. Rear Bumper (SUS)



- ① Beam complete rear
- ② Beam lower complete rear
- ③ Bracket side rear
- ④ Beam upper rear
- ⑤ Bumper face
- ⑥ E-A foam
- ⑦ E-A honeycomb

Tightening torque: N·m (kg·m, ft·lb)
T: 95 ± 25 (9.5 ± 2.5, 69 ± 18)