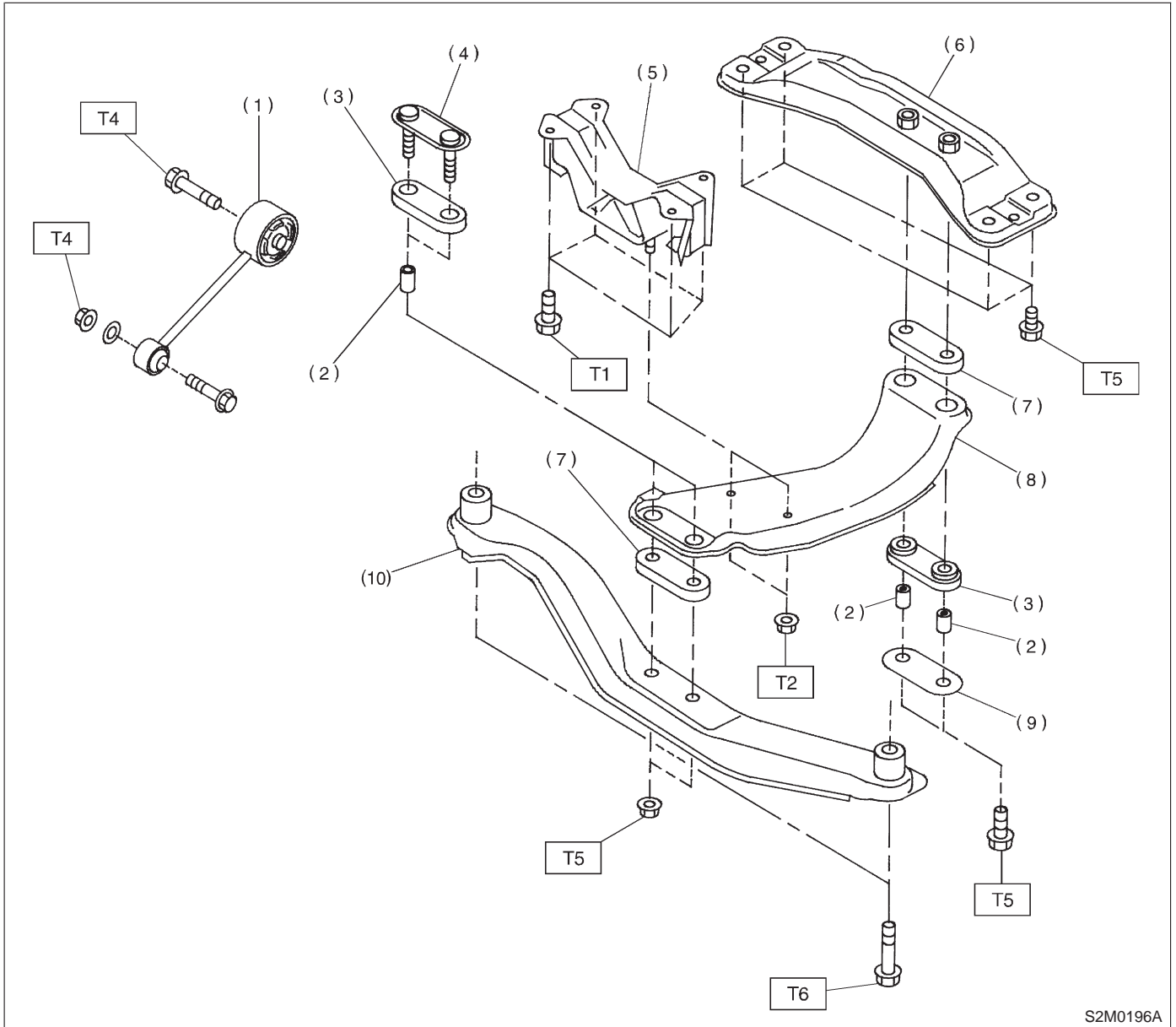


2. Transmission Mounting

A: MT MODEL



S2M0196A

- | | |
|-------------------------|------------------------|
| (1) Pitching stopper | (8) Center crossmember |
| (2) Spacer | (9) Rear plate |
| (3) Cushion C | (10) Front crossmember |
| (4) Front plate | |
| (5) Rear cushion rubber | |
| (6) Rear crossmember | |
| (7) Cushion D | |

Tightening torque: N·m (kg·m, ft·lb)

T1: 33±5 (3.4±0.5, 24.6±3.6)

T2: 37±10 (3.8±1.0, 27±7)

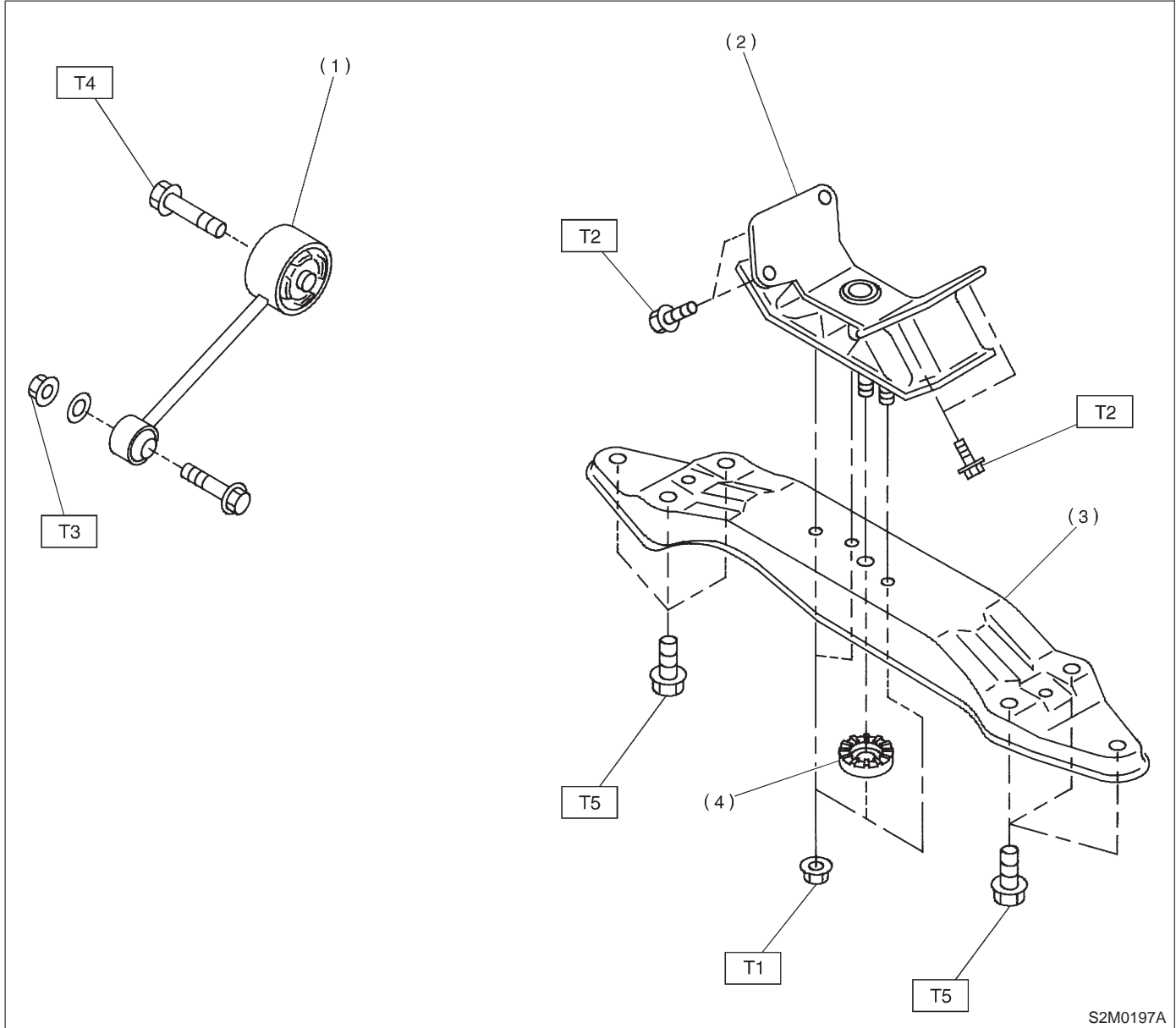
T3: 49±5 (5.0±0.5, 36.2±3.6)

T4: 57±10 (5.8±1.0, 42±7)

T5: 69±15 (7.0±1.5, 51±11)

T6: 137±20 (14±2, 101±14)

B: AT MODEL



- (1) Pitching stopper
- (2) Rear cushion rubber
- (3) Crossmember
- (4) Stopper

Tightening torque: N·m (kg·m, ft·lb)

T1: 37±10 (3.8±1.0, 27±7)

T2: 38±15 (3.9±1.5, 28±11)

T3: 49±5 (5.0±0.5, 36.2±3.6)

T4: 57±10 (5.8±1.0, 42±7)

T5: 69±15 (7.0±1.5, 51±11)